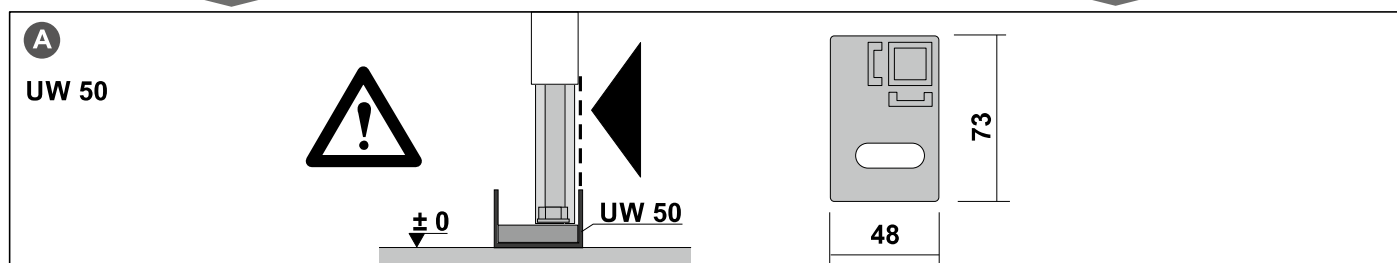
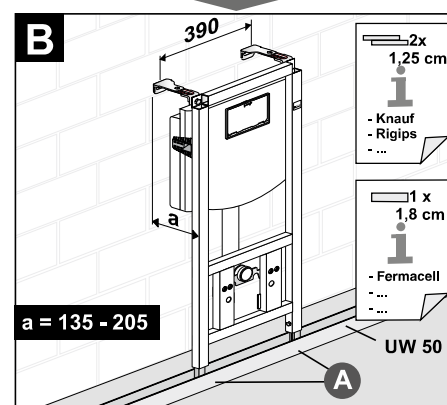
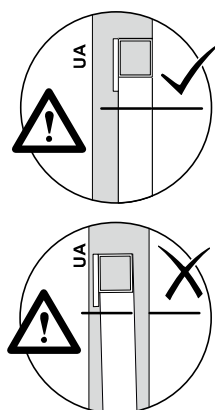
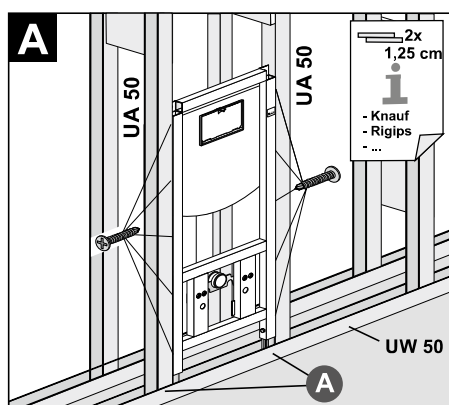
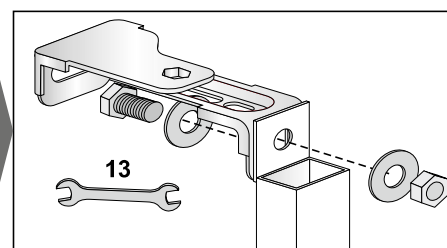
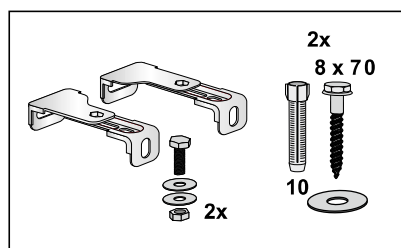
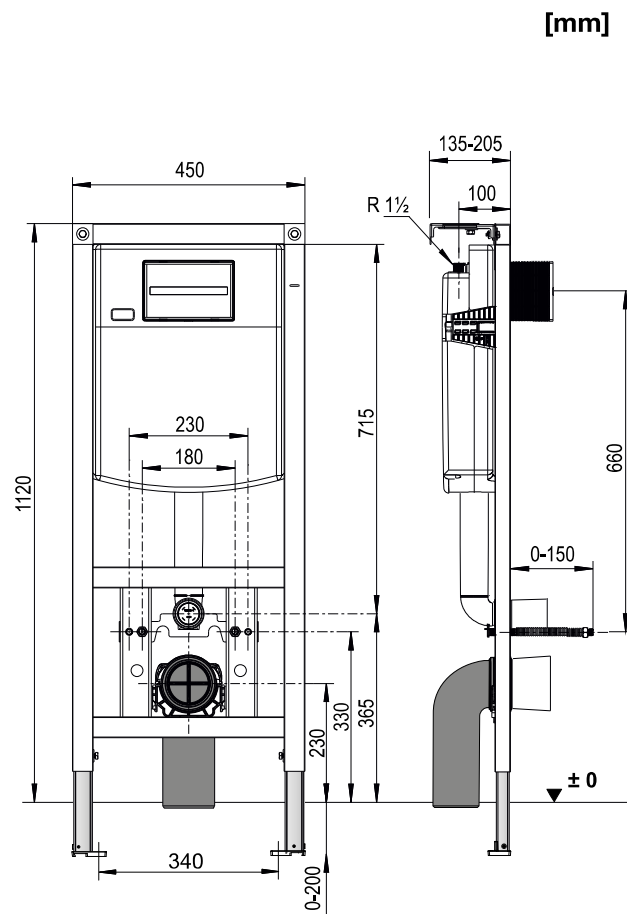
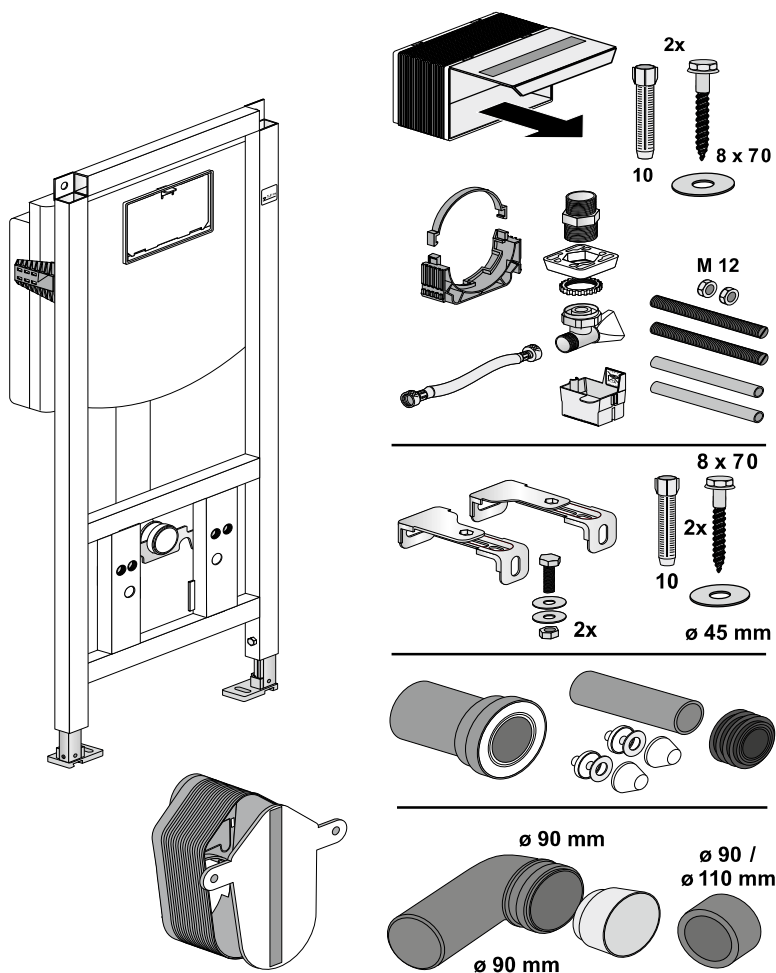
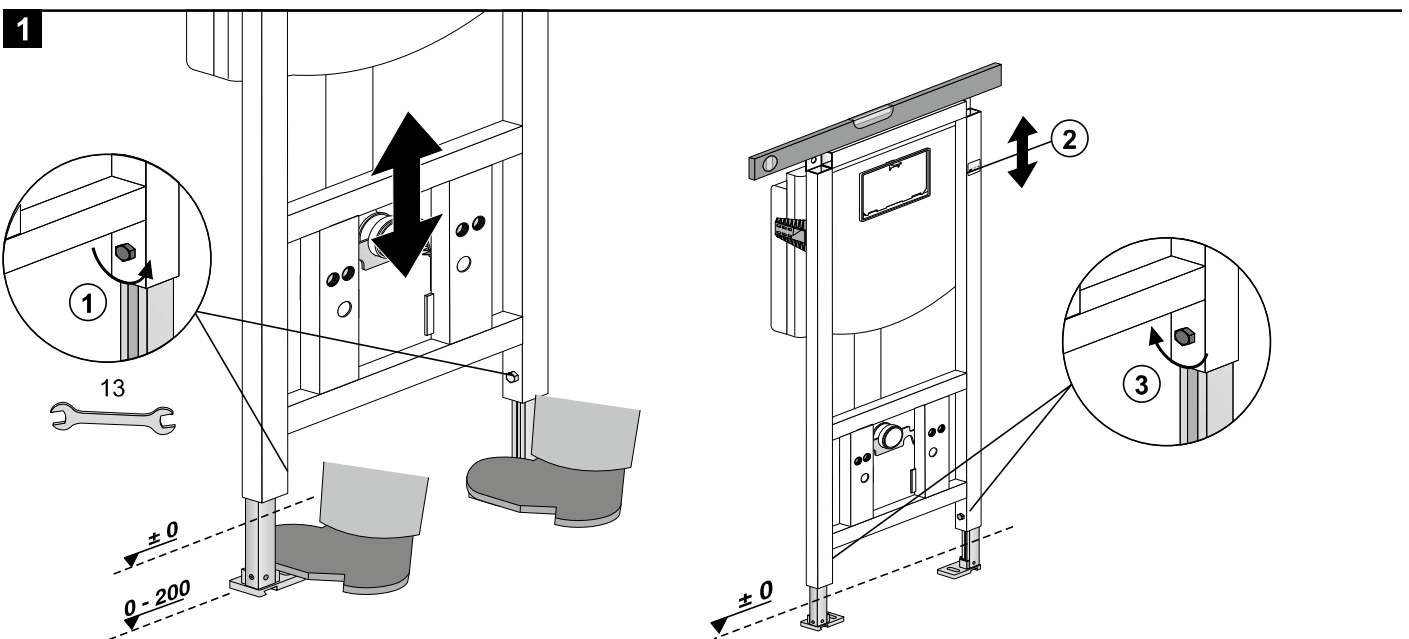
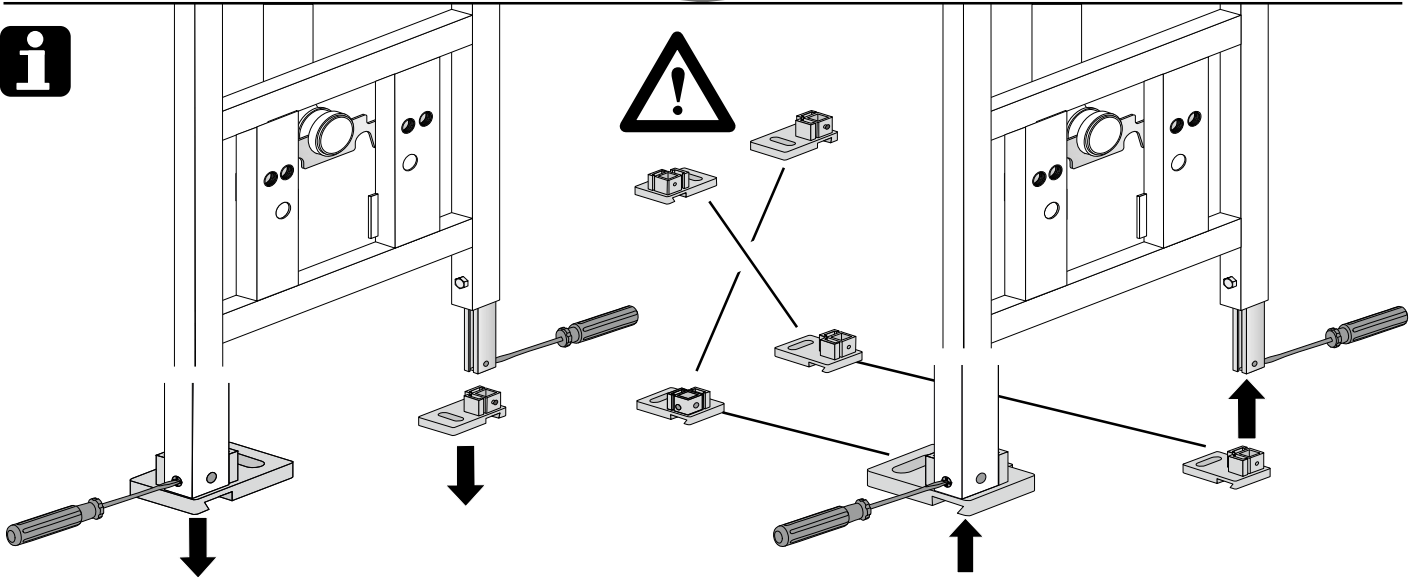
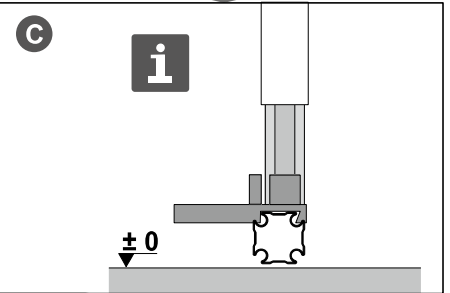
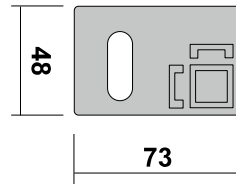
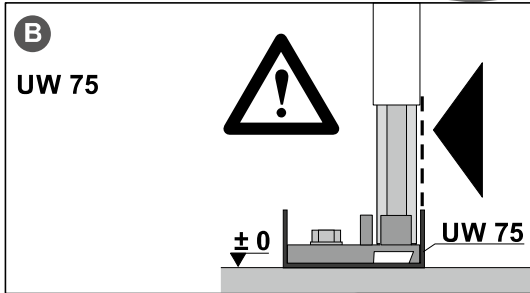
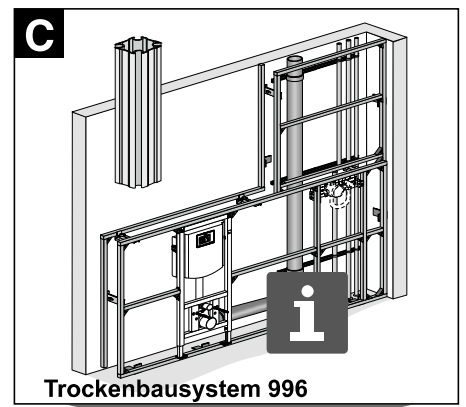
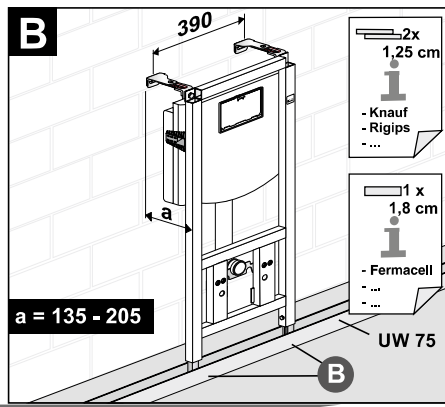
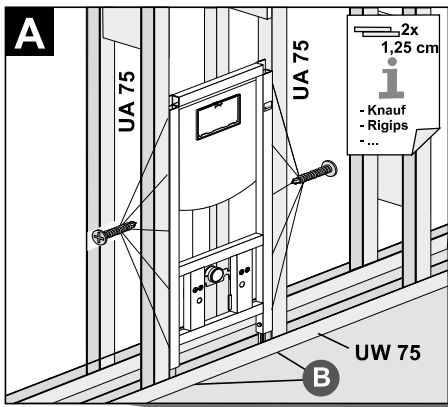
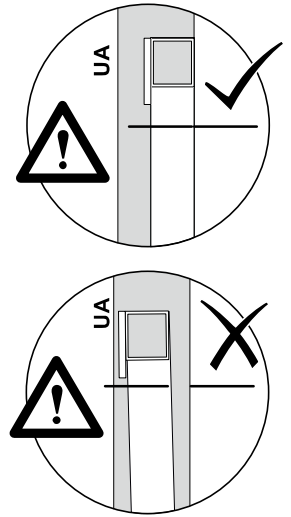
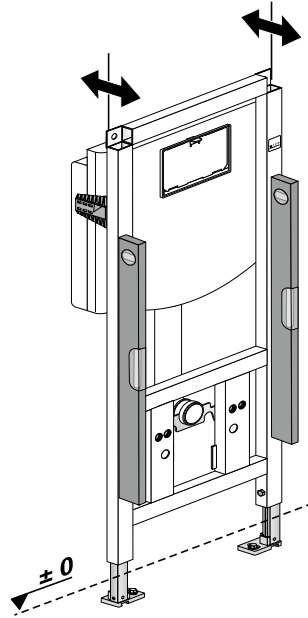
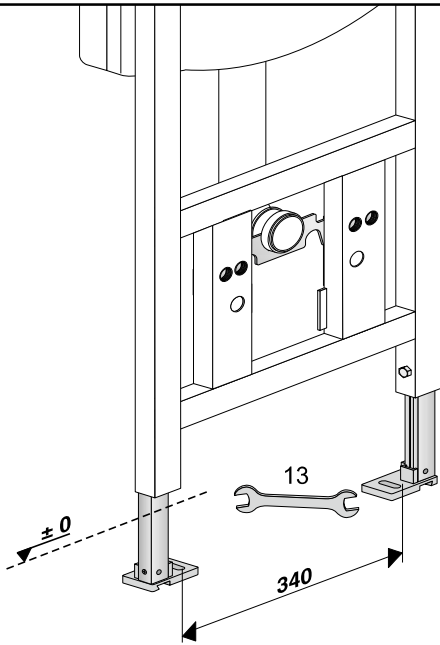
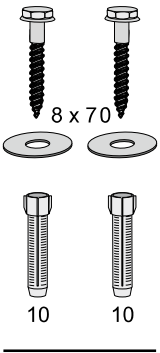


LAUFEN

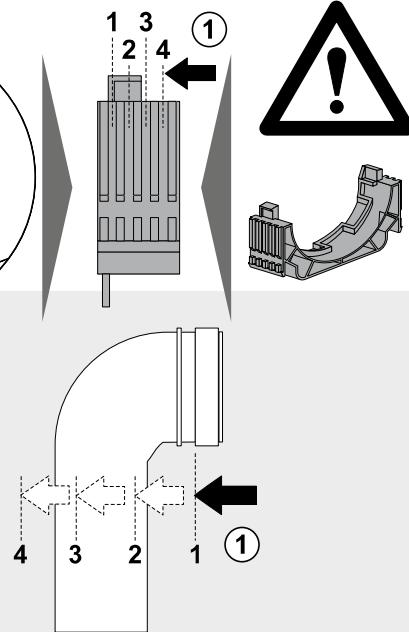
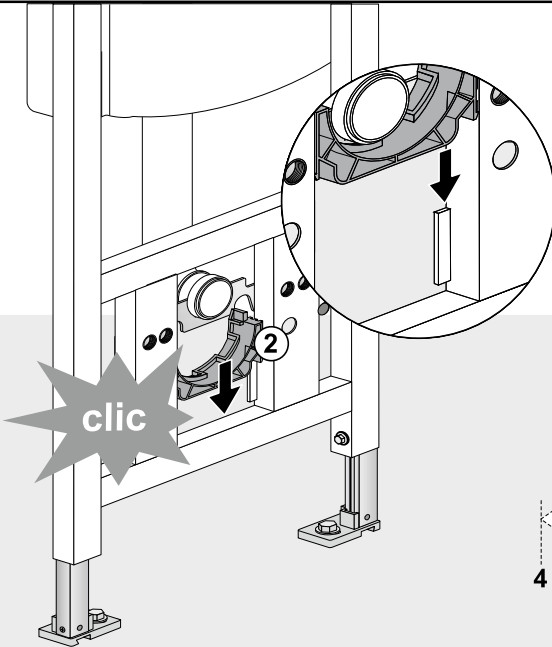
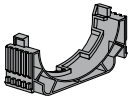




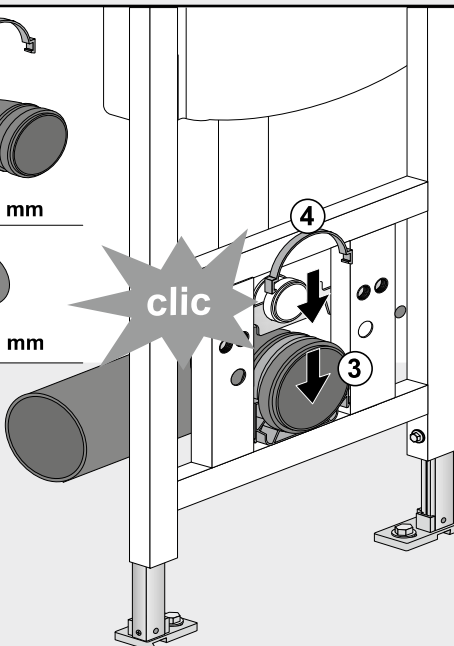
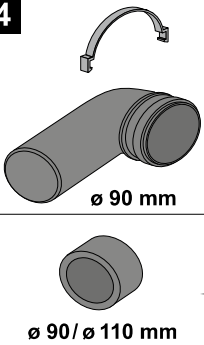
2



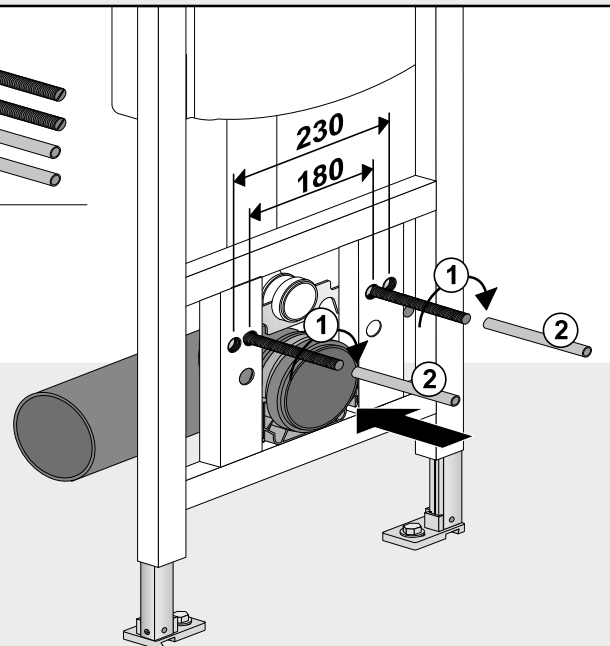
3

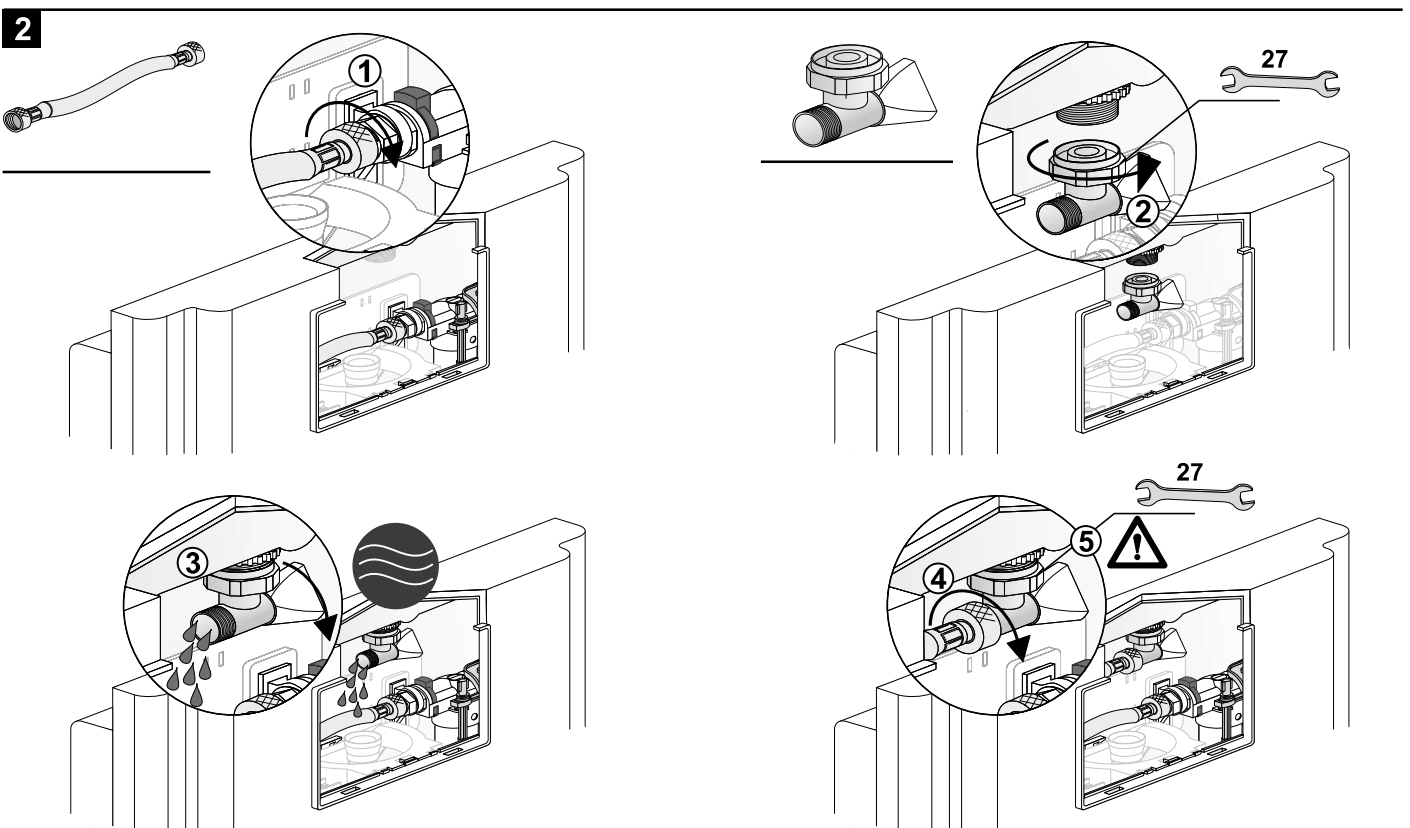
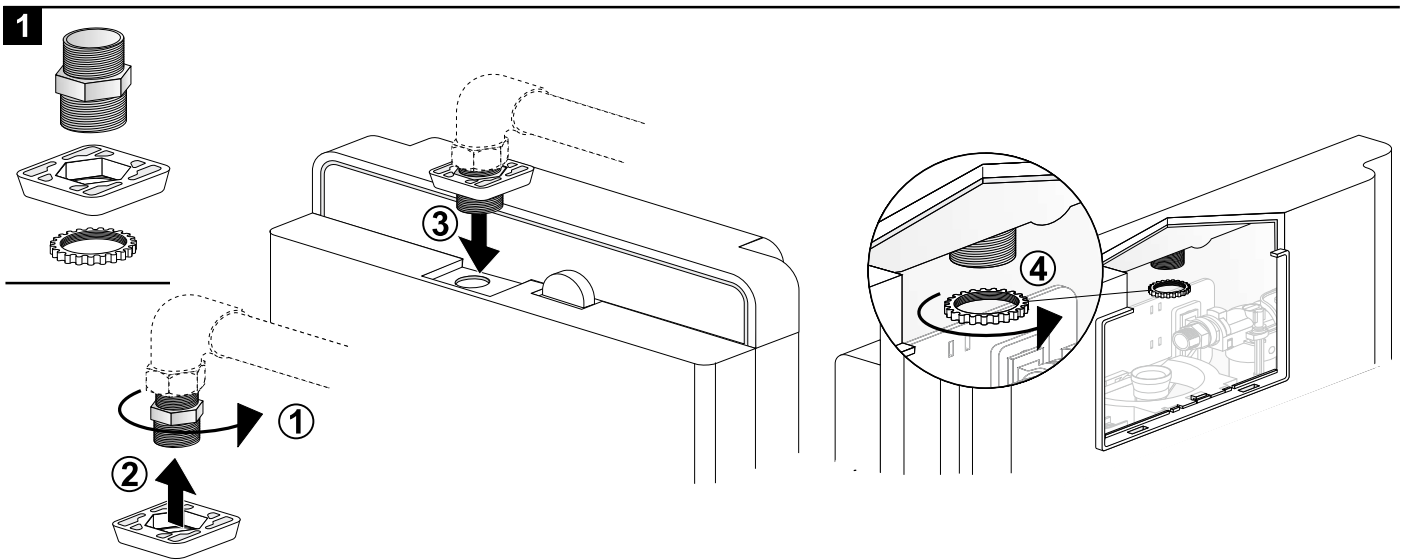
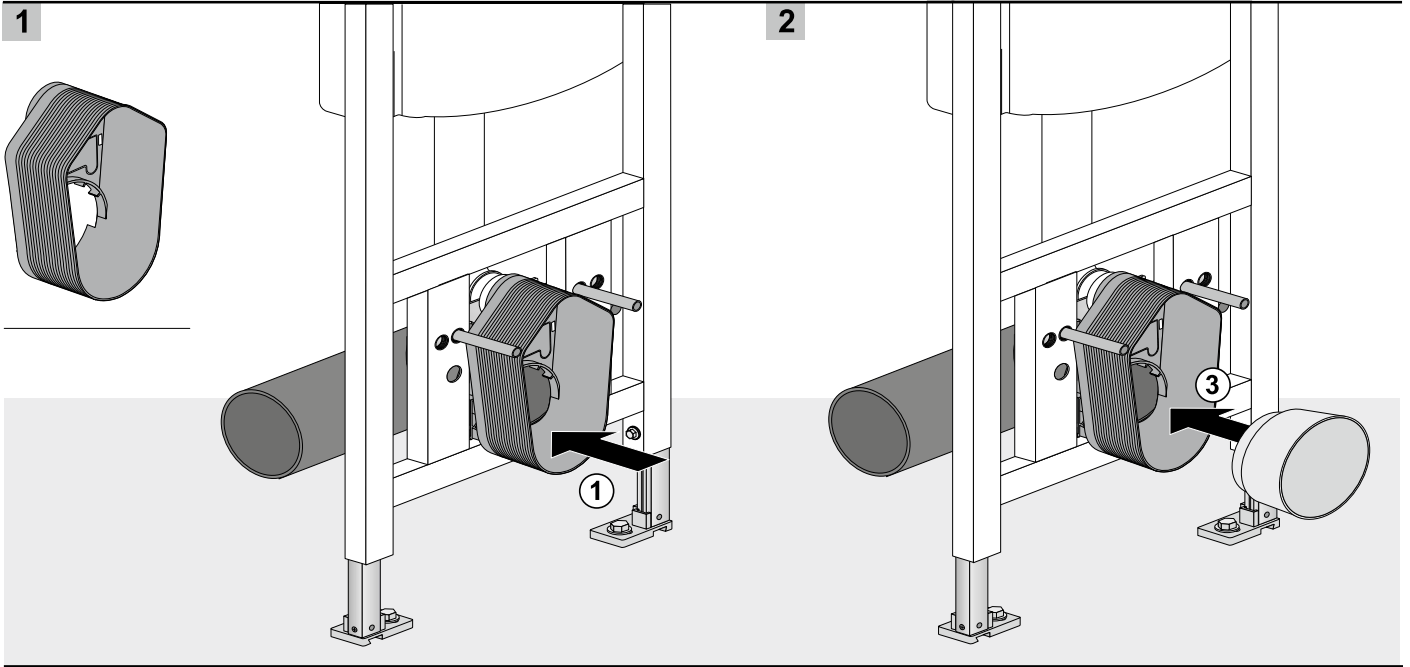


4

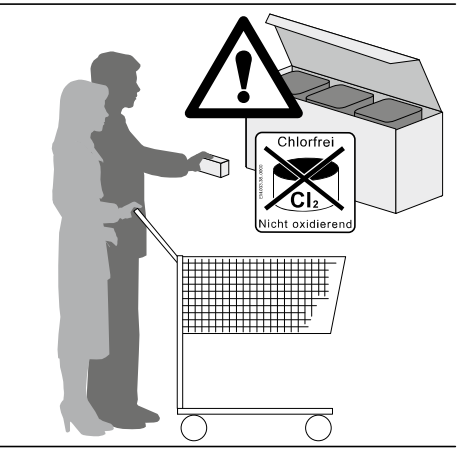
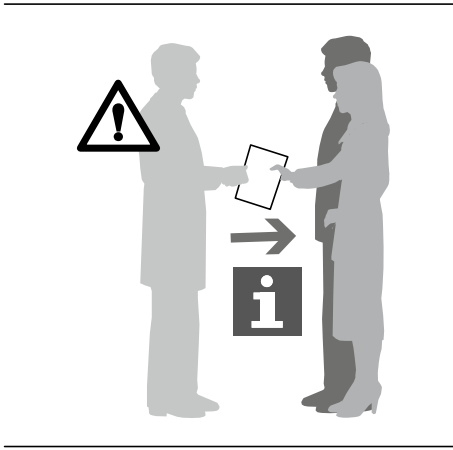
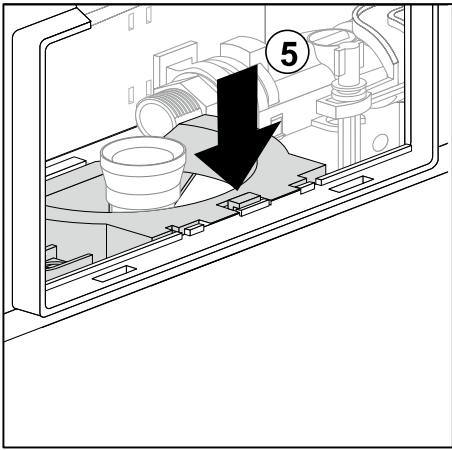
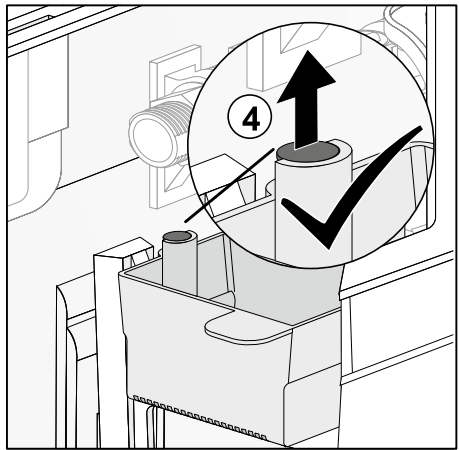
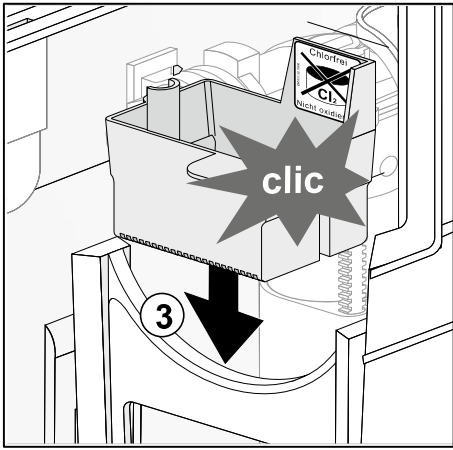
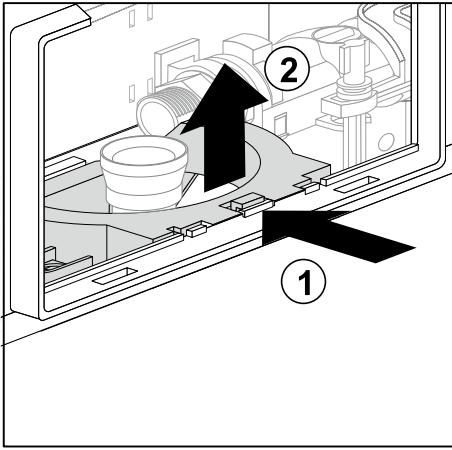
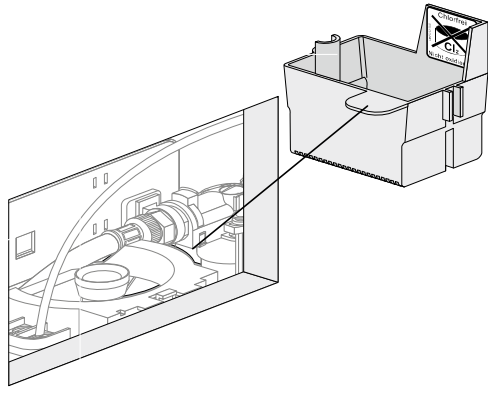
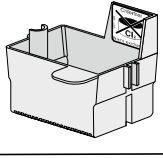


5

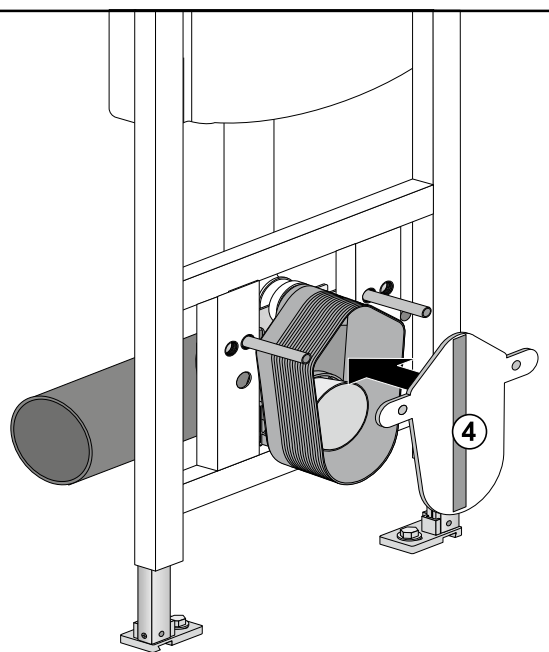
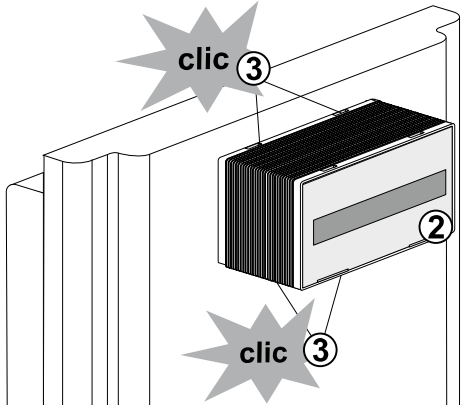
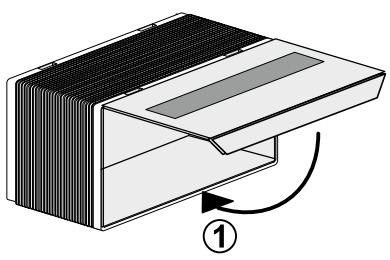




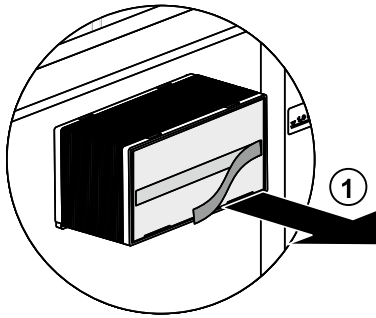
3



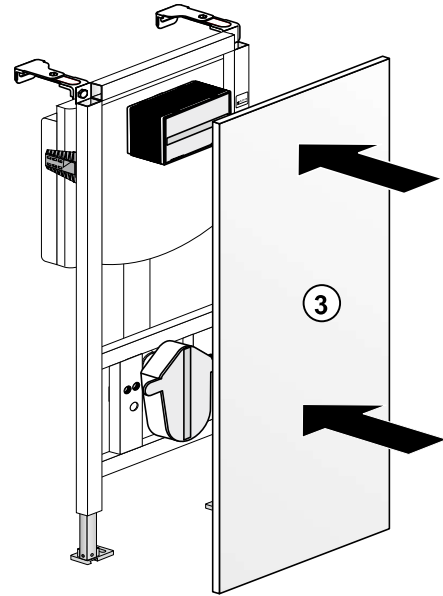
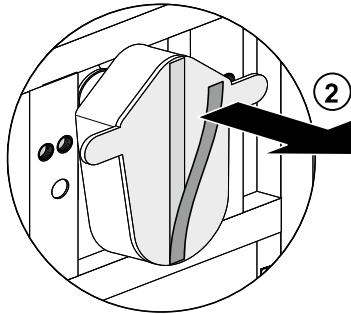
4



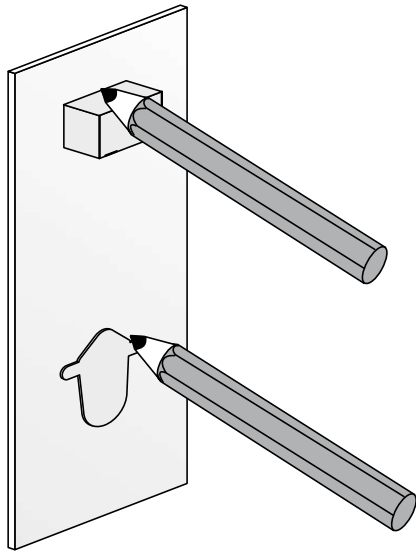
1



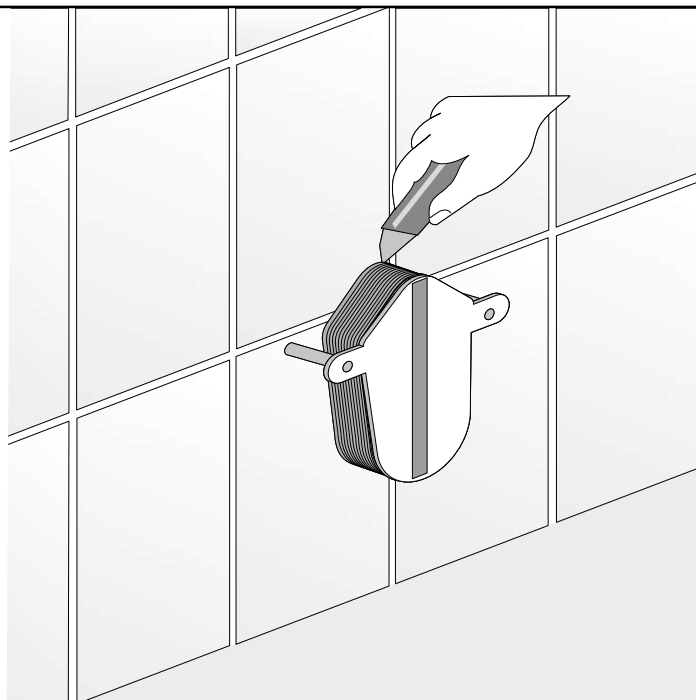
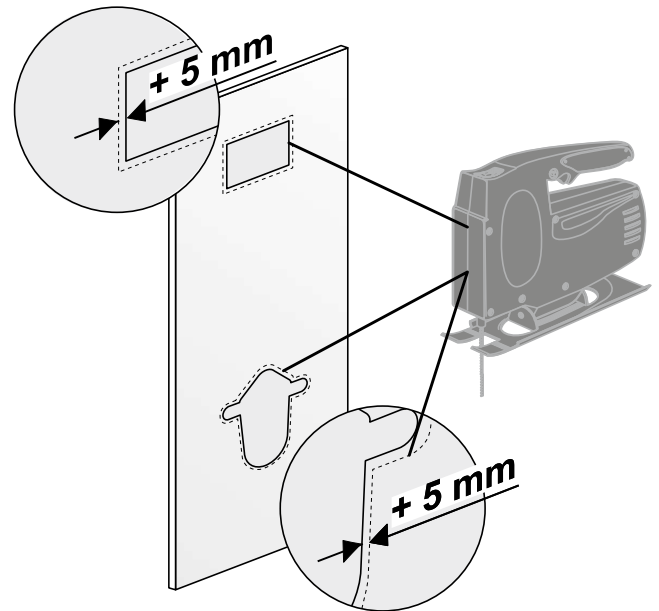
2



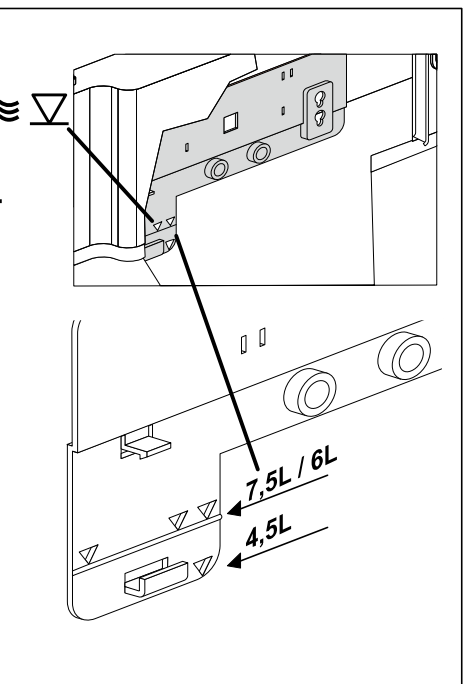
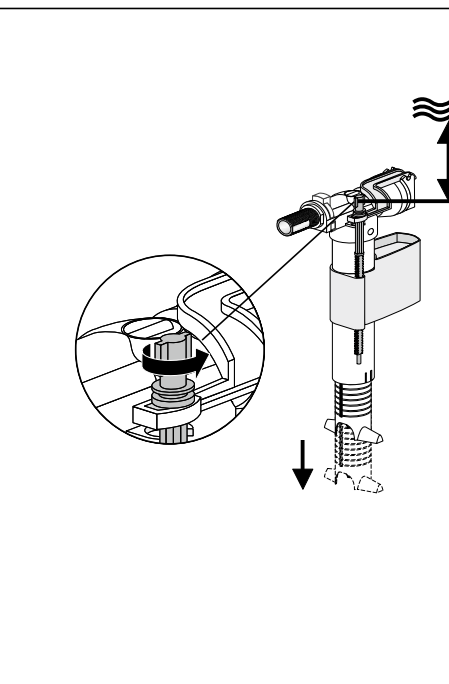
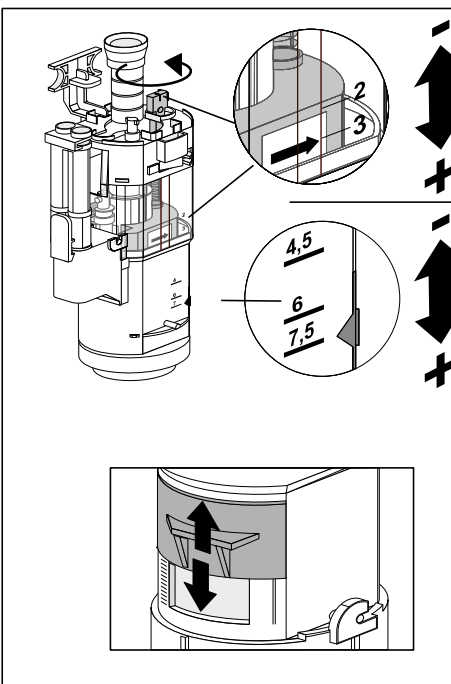
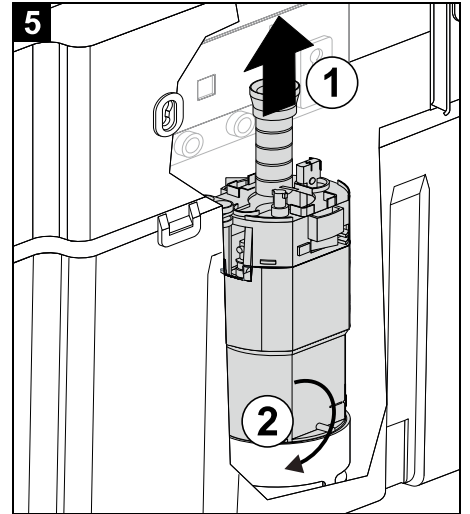
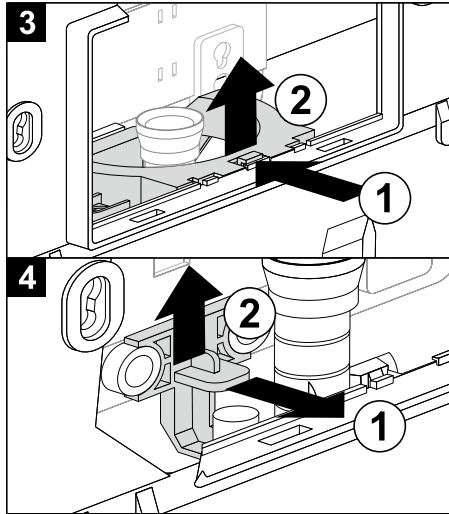
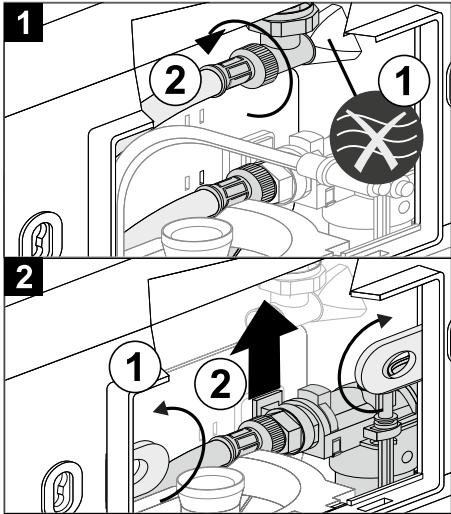
3



4



Service



| |
|--------------------------------------------------------------------------------------------------------------|
| CE |
| <small>Laufen Bathrooms AG Wahlenstrasse 46 CH-4242 Laufen</small> |
| 13 |
| <small>DoP Nr. 14055 CC 121-S-FO-2V-2C Personal hygiene</small> |
| <small>EN 14055-CL1-6-NLI-VR11</small> |

LAUFEN

Laufen Bathrooms AG
Wahlenstrasse 46
CH-4242 Laufen, Switzerland
www.laufen.com