



CITYPRO

Basin mixer, projection 110 mm, fixed spout, with pop-up waste, chrome

Acoustic level (dB) : Group 1 (Up to 20 dB)

Aerator type : Honeycomb

Application : Basin

Cartridge features : Flow brake, Temperature brake

Faucet type : Single-lever

Finish : Chrome

Fixed spout

Flexible supply hoses included

Flow rate (l/min - 3 bar) : 6.4

Handle position : Top

Installation type : Deck-mounted

Net weight (kg) : 1.74

Pop-up waste

Spout length (mm) : 110

Spout position : Central

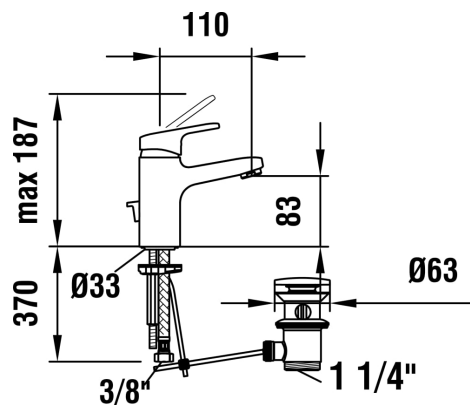
Type of cartridge : Ceramic Disc

Waste type : Pop-up waste

Water and energy-saving

Water connection diameter : 3/8"

TECHNICAL DRAWINGS





CITYPRO

Elegant shapes that fit snugly in the hand. The citypro faucet range reflects the spirit of the modern approach to living. Their simplicity and individuality lend an air of purism to the bathroom.



#certification_text

Standards and approvals: A+